

Asynchronous Sequential Symbol Synchronizers based on Pulse Comparison by Both Transitions at Half Bit Rate

Antonio D. Reis, Jose F. Rocha, A. S. Gameiro and Jose P. Carvalho

Abstract— This work studies the asynchronous sequential symbol synchronizers based on pulse comparison by both transitions at half bit rate. Their performance will be compared with the reference asynchronous symbol synchronizers based on pulse comparison by both transitions at bit rate.

For the reference and proposed variants, we consider two versions which are the manual (m) and the automatic (a).

The objective is to study the four synchronizers and evaluate their output jitter UIRMS (Unit Interval Root Mean Square) versus input SNR (Signal Noise Ratio).

Index Terms—Synchronism, Digital Communications

I. INTRODUCTION

This work studies the asynchronous sequential symbol synchronizer based on pulse comparison operating by both transitions at half bit rate (ab/2). Their jitter is compared with the reference asynchronous synchronizers operating by both transitions at bit rate (ab) [1, 2].

For both, reference and proposed variant, we consider the versions manual (m) and automatic (a) [3, 4, 5, 6, 7].

The difference between the reference and proposed synchronizer is in the symbol phase comparator since the others blocks are similar. The phase comparator compares the input variable pulse duration P_v with the intern reference fixed pulse duration P_f and the error pulse P_e synchronizes the VCO (Voltage Controlled Oscillator) [8, 9].

The synchronizer regenerates the data, recovering a clock (VCO) that samples and retimes the data [10, 11, 12, 13].

Fig.1 shows the blocks of the general symbol synchronizer.

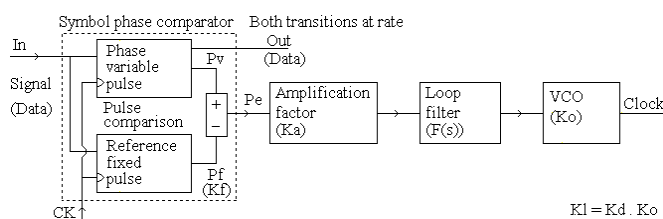


Fig.1 Synchronizer based on pulse comparison

K_f is the phase comparator gain, $F(s)$ is the loop filter, K_o is the VCO gain and K_a is the loop amplification factor that controls the root locus and then the loop characteristics.

Manuscript received March 21, 2014; Supports from UBI and FCT.

A. D. Reis is with the University of Beira Interior Covilha and Remote Detection Unit, Portugal (e-mail: adreis@ubi.pt).

J. F. Rocha is with the University of Aveiro and Institute of Telecommunications, Portugal (e-mail: frocha@ua.pt).

A. S. Gameiro is with the University of Aveiro and Institute of Telecommunications, Portugal (e-mail: amg@ua.pt).

J. P. Carvalho is with the University of Beira Interior Covilha and Remote Detection Unit, Portugal (e-mail: pacheco@ubi.pt).

In priori and actual-art state was developed various synchronizers, now is necessary to know their performance.

The motivation of this work is to create new synchronizers and to evaluate their performance with noise. This contribution increases the knowledge about synchronizers.

Following, we present the reference variant, asynchronous sequential symbol synchronizers based on pulse comparison by both transitions at bit rate, with versions manual (ab-m) and automatic (ab-a). Next, we present the proposed variant, asynchronous sequential symbol synchronizer based on pulse comparison by both transitions at half bit rate, with versions manual (ab-m/2) and automatic (ab-a/2).

After, we present the design and tests. Then, we present the results. Finally, we present the conclusions.

II. REFERENCE BY BOTH AT BIT RATE

The standard reference, asynchronous sequential symbol synchronizers based on pulse comparison operating by both transitions at bit rate has two versions, which are the manual (ab-m) and the automatic (ab-a) [1, 2].

The versions difference is in the phase comparator, the variable pulse P_v is common but the fixed P_f is different.

A. Reference by both at rate manual (ab-m)

The block P_v , shown below, produces a variable pulse P_v between the input bits and VCO. The manual adjustment delay with Exor produces a manual fixed pulse P_f (Fig.2).

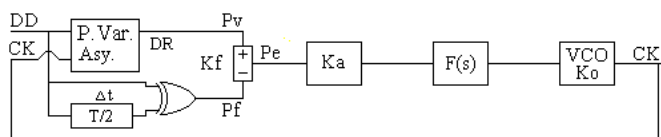


Fig.2 Asynchronous by both at rate and manual (ab-m)

The comparison between the pulses P_v and P_f provides the error pulse P_e that forces the VCO to synchronize the input. The block P_v is an asynchronous circuit (Fig.3).

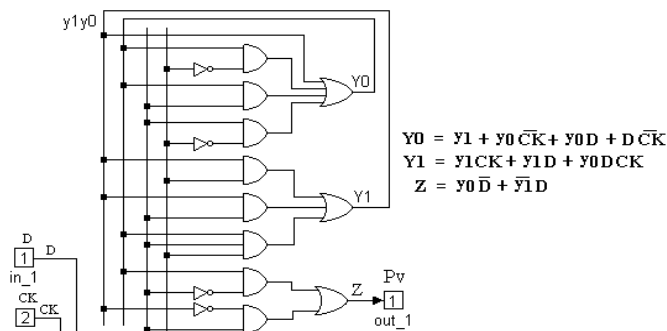


Fig.3 Intern aspect of the block P_v

Fig.4 shows the waveforms of the reference manual (equal to the corresponding synchronous version) [3].

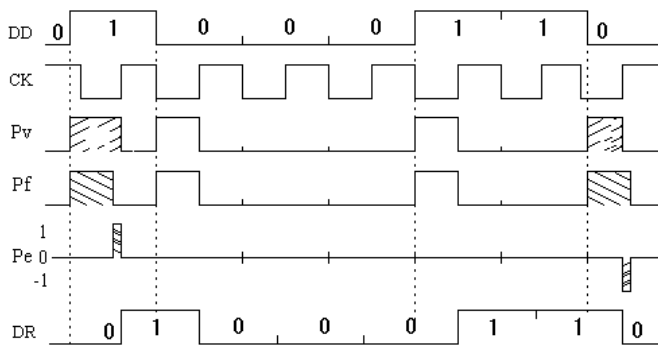


Fig.4 Waveforms of the asynchronous by both at rate manual

The error pulse P_e diminishes during the synchronization time and disappear at the equilibrium point.

B. Reference by both at rate automatic (ab-a)

The block P_v , common with anterior, produces the variable pulse P_v between input and VCO. The block P_f , shown below, produces the comparison fixed pulse P_f (Fig.5).

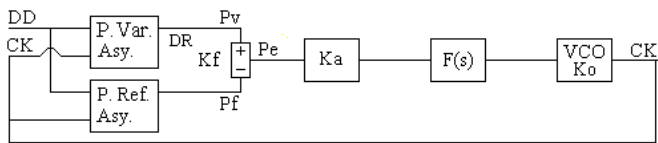


Fig.5 Asynchronous by both at rate and automatic (ab-a)

The comparison between the pulses P_v and P_f provides the error pulse P_e that forces the VCO to follow the input. The block P_f is an asynchronous circuit (Fig.6).

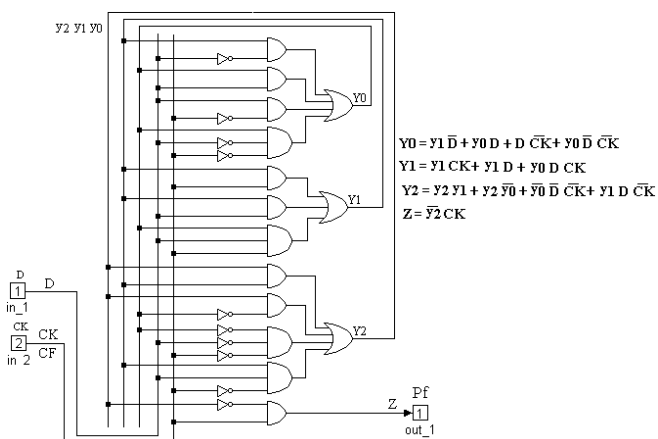


Fig.6 Intern aspect of the block Pf

Fig.7 shows the waveforms of the reference automatic (equal to the corresponding synchronous version) [3].

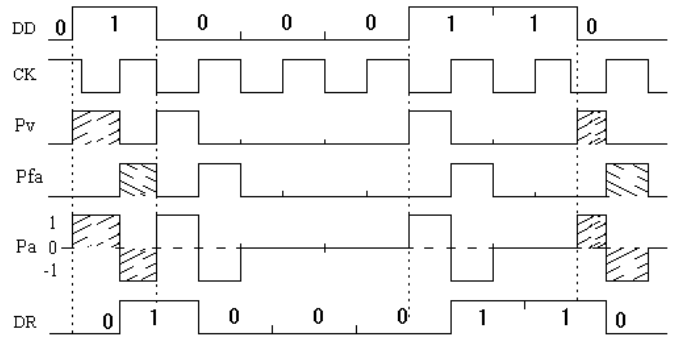


Fig.7 Waveforms of the asynchronous by both at rate automatic

The error pulse P_e don't disappear, but the variable area P_v is equal to the fixed P_f at the equilibrium point.

III. PROPOSED BY BOTH AT HALF BIT RATE

The proposed, asynchronous sequential symbol synchronizers based on pulse comparison operating by both transitions at half bit rate has also two versions namely the manual (ab-m/2) and the automatic (ab-a/2) [3, 4].

The versions difference is in the phase comparator, the variable pulse P_v is common but the fixed P_f is different.

A. Proposed by both at half rate manual (ab-m/2)

The block P_v produces the variable pulse P_v between input transitions and VCO. The manual adjustment delay $T/2$ with Exor produces a fixed pulse P_f (Fig.8).

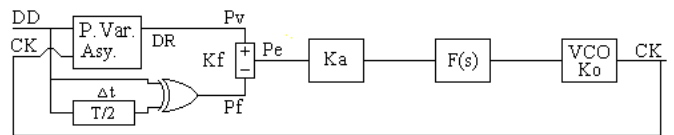


Fig.8 Asynchronous by both at half rate and manual (ab-m/2)

The comparison between pulses P_v and P_f provides the error pulse P_e that forces the VCO to synchronize the input. The block P_v is an asynchronous circuit (Fig.9).

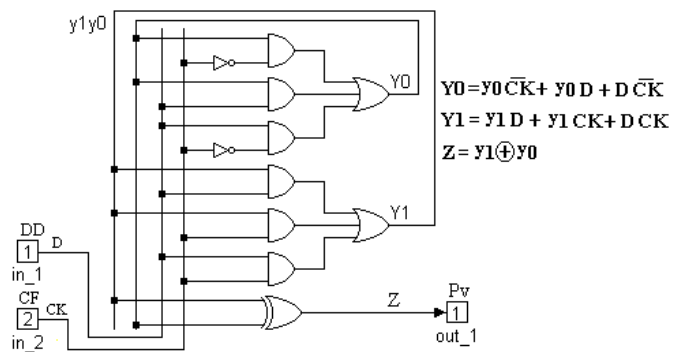


Fig.9 Intern aspect of the block Pv

Fig.10 shows the waveforms of the proposed manual (equal to the corresponding synchronous version) [3].

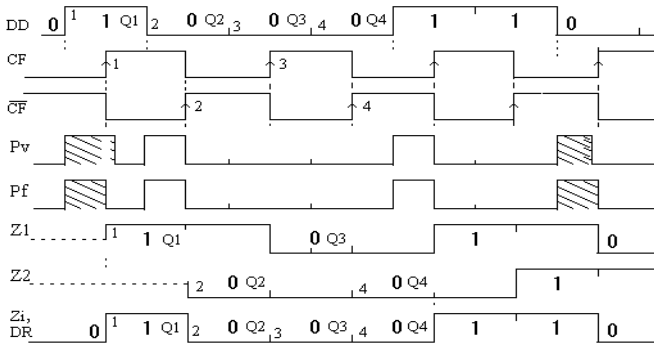


Fig.10 Waveforms of the asynchronous both at half rate manual

The error pulse P_e diminishes during the synchronization time and disappear at the equilibrium point.

B. Proposed by both at half rate automatic (ab-a/2)

The block P_v , common, produces the variable pulse P_v between input and VCO. The block P_f , shown below, produces the comparison fixed pulse P_f (Fig.11).

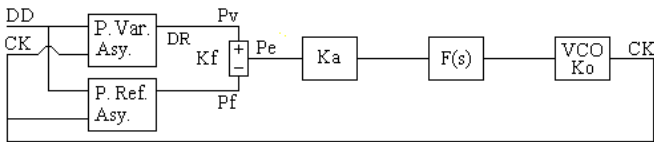


Fig.11 Asynchronous by both at half rate and automatic (ab-a/2)

The comparison between the pulses P_v and P_f provides the error pulse P_e that forces the VCO to follow the input. The block P_f is an asynchronous circuit (Fig.12).

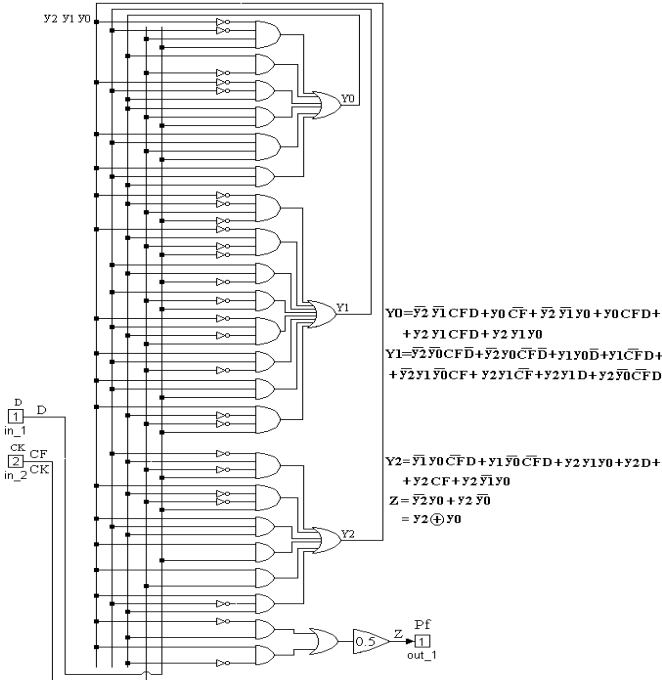


Fig.12 Intern aspect of the block Pf

Fig.13 shows the waveforms of the proposed automatic (equal to the corresponding synchronous version) [3].

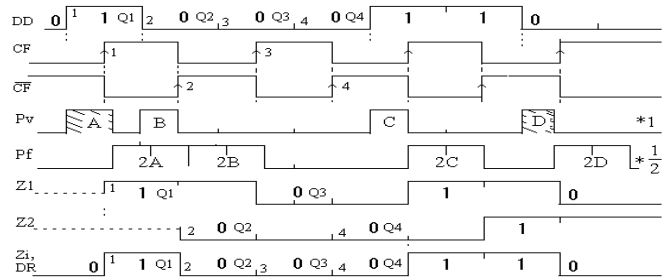


Fig.13 Waveforms of the asynchronous both at half rate automatic

The error pulse P_e don't disappear, but the variable area P_v is equal to the fixed P_f at the equilibrium point.

IV. DESIGN, TESTS AND RESULTS

We present the design, tests and results of the various synchronizers [5].

A. Design

To have guaranteed results, is necessary to dimension all the synchronizers with equal conditions. Then, the loop gain $K_l = K_d K_o = K_a K_f K_o$ must be equal in all the synchronizers. The phase detector gain K_f and the VCO gain K_o are fixed. Then, the loop gain amplification K_a controls the root locus and consequently the loop characteristics.

For analysis facilities, we use normalized values for the transmission rate $t_x = 1$ baud, clock frequency $f_{CK} = 1$ Hz, extern noise bandwidth $B_n = 5$ Hz and loop noise bandwidth $B_l = 0.02$ Hz. Then, we apply a signal power $P_s = A_{ef}^2$ and a noise power $P_n = N_o = 2\sigma_n^2 \Delta\tau$, where σ_n is the noise standard deviation and $\Delta\tau = 1/f_{Samp}$ is the sampling period. The relation between SNR and noise variance σ_n^2 is

$$SNR = A_{ef}^2 / (N_o \cdot B_n) = 0.5^2 / (2\sigma_n^2 * 10^{-3} * 5) = 25 / \sigma_n^2 \quad (1)$$

Now, for each synchronizer, is necessary to measure the output jitter UIRMS versus the input SNR

- 1st order loop:

We use a cutoff loop filter $F(s) = 0.5$ Hz, which is 25 times greater than $B_l = 0.02$ Hz, what eliminates the high frequency, but maintains the loop characteristics. The transfer function is

$$H(s) = \frac{G(s)}{1 + G(s)} = \frac{K_d K_o F(s)}{s + K_d K_o F(s)} = \frac{K_d K_o}{s + K_d K_o} \quad (2)$$

the loop noise bandwidth is

$$B_l = \frac{K_d K_o}{4} = K_a \frac{K_f K_o}{4} = 0.02 \text{ Hz} \quad (3)$$

So, with $(K_m = 1, A = 1/2, B = 1/2, K_o = 2\pi)$ and loop bandwidth $B_l = 0.02$, we obtain respectively the K_a , for analog, hybrid, combinational and sequential synchronizers, then

$$B_l = (K_a \cdot K_f \cdot K_o) / 4 = (K_a \cdot K_m \cdot A \cdot B \cdot K_o) / 4 \rightarrow K_a = 0.08 * 2 / \pi \quad (4)$$

$$B_l = (K_a \cdot K_f \cdot K_o) / 4 = (K_a \cdot K_m \cdot A \cdot B \cdot K_o) / 4 \rightarrow K_a = 0.08 * 2.2 / \pi \quad (5)$$

$$B_l = (K_a \cdot K_f \cdot K_o) / 4 = (K_a * 1 / \pi * 2\pi) / 4 \rightarrow K_a = 0.04 \quad (6)$$

$$B_l = (K_a \cdot K_f \cdot K_o) / 4 = (K_a * 1/2 * \pi * 2\pi) / 4 \rightarrow K_a = 0.08 \quad (7)$$

For the analog PLL, the jitter is

$$\sigma_\phi^2 = B_l \cdot N_o / A_{ef}^2 = 0.02 * 10^{-3} * 2\sigma_n^2 / 0.5^2 = 16 * 10^{-5} \cdot \sigma_n^2 \quad (8)$$

For the others PLLs, the jitter formula is more complicated.

- 2nd order loop:

Is not used here, but provides similar results.

B. Tests

We used the following setup to test synchronizers (Fig.14)

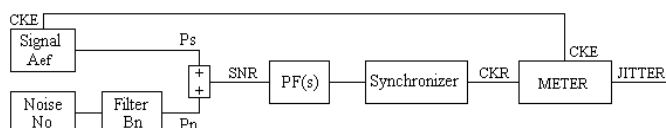


Fig.14 Block diagram of the test setup

The receiver recovered clock with jitter is compared with the emitter original clock, the difference is the jitter.

C. Results

We present the results in terms of output jitter UIRMS versus input SNR. Fig.15 shows the jitter - SNR curves of the four synchronizers which are the both rate manual (ab-m), the both rate automatic (ab-a), the both half rate manual (ab-m/2) and the both half rate automatic (ab-a/2).

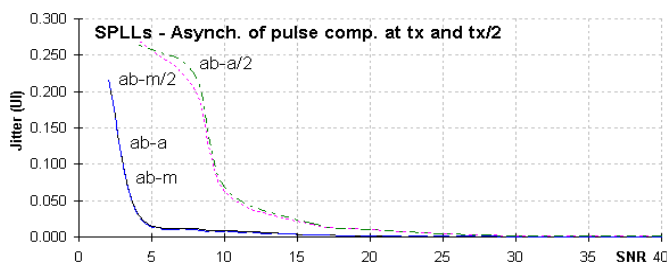


Fig.15 Jitter-SNR curves of the 4 synchro. (ab-m,ab-a,ab-m/2,ab-a/2)

We observe that, in general, the output jitter UIRMS decreases gradually with the input SNR increasing.

We verify that, for high SNR, the four jitter curves tend to be similar. However, for low SNR, the variant asynchronous both at rate manual (ab-m) and automatic (ab-a) are better than the variant asynchronous both at half rate manual (ab-m/2) and automatic (ab-a/2).

V. CONCLUSIONS

We studied four synchronizers involving the reference variant asynchronous by both transitions at bit rate with versions manual (ab-m) and automatic (ab-a) and the proposed variant asynchronous by both transitions at half bit rate with versions manual (ab-m/2) and automatic (ab-a/2). Then, we tested and compared their jitter - SNR curves.

We observed that, in general, the output UIRMS jitter curves decrease gradually with the input SNR increasing.

We verified that, for high SNR, the four synchronizers jitter curves tend to be similar, this is comprehensible since all the synchronizers are digital, with equal noise margin. However, for low SNR, the variant asynchronous by both at rate with their versions manual (ab-m) and automatic (ab-a) are better than the variant asynchronous by both at half rate with their versions manual (ab-m/2) and automatic (ab-a/2), this is comprehensible because the variant by both transitions at rate has minus states than the variant by both transitions at half rate, and then, the time to pass from the error state to the correct state is lesser.

In the future, we are planning to extend the present study to other types of synchronizers.

ACKNOWLEDGMENTS

The authors are grateful to the program FCT (Foundation for sScience and Technology) / POCI2010.

REFERENCES

- [1] J. C. Imbeaux, "performance of the delay-line multiplier circuit for clock and carrier synchronization", IEEE Jou. on Selected Areas in Communications p.82 Jan. 1983.
- [2] Werner Rosenkranz, "Phase Locked Loops with limiter phase detectors in the presence of noise", IEEE Trans. on Communications com-30 N°10 pp.2297-2304. Oct 1982.
- [3] H. H. Witte, "A Simple Clock Extraction Circuit Using a Self Sustaining Monostable Multivibrat. Output Signal", Electronics Letters, Vol.19, Is.21, pp.897-898, Oct 1983.
- [4] Charles R. Hogge, "A Self Correcting Clock Recovery Circuit", IEEE Tran. Electron Devices p.2704 Dec 1985.
- [5] A. D. Reis, J. F. Rocha, A. S. Gameiro, J. P. Carvalho "A New Technique to Measure the Jitter", Proc. III Conf. on Telecommunications pp.64-67 FFoz-PT 23-24 Apr 2001.
- [6] Marvin K. Simon, William C. Lindsey, "Tracking Performance of Symbol Synchronizers for Manchester Coded Data", IEEE Transactions on Communications Vol. com-2.5 N°4, pp.393-408, April 1977.
- [7] J. Carruthers, D. Falconer, H. Sandler, L. Strawczynski, "Bit Synchronization in the Presence of Co-Channel Interference", Proc. Conf. on Electrical and Computer Engineering pp.4.1.1-4.1.7, Ottawa-CA 3-6 Sep. 1990.
- [8] Johannes Huber, W. Liu "Data-Aided Synchronization of Coherent CPM-Receivers" IEEE Transactions on Communications Vol.40 N°1, pp.178-189, Jan. 1992.
- [9] Antonio D'Amico, A. D'Andrea, Reggianni, "Efficient Non-Data-Aided Carrier and Clock Recovery for Satellite DVB at Very Low SNR", IEEE Jou. on Sattelite Areas in Comm. Vol.19 N°12 pp.2320-2330, Dec. 2001.
- [10] Rostislav Dobkin, Ran Ginosar, Christos P. Sotiriou "Data Synchronization Issues in GALS SoCs", Proc. 10th International Symposium on Asynchronous Circuits and Systems, pp.CD-Ed., Crete-Greece 19-23 Apr. 2004.
- [11] N. Noels, H. Steendam, M. Moeneclaey, "Effectiveness Study of Code-Aided and Non-Code-Aided ML-Based Feedback Phase Synchronizers", Proc. IEEE Int Conf. on Comm.(ICC'06) pp.2946-2951, Ist.-TK, 11-15 Jun 2006.
- [12] A. D. Reis, J. F. Rocha, A. S. Gameiro, J. P. Carvalho "Sequential Symbol Synchronizers based on Clock Sampling of Discrete Pulses", Proc. VIII Symposium on Enabling Optical Network and Sensors (SEONs) p.CD-Edited, Porto-PT 25-25 June 2010.
- [13] A. D. Reis, J. F. Rocha, A. S. Gameiro, J. P. Carvalho "Optical Digital Communication Systems and Synchronism", Proc. 7th UBI International Conference on Engineering (for Economic Development) - ICEUBI 2013, pp. CT8-11.7, Covilhã-PT 27-29 November 2013.